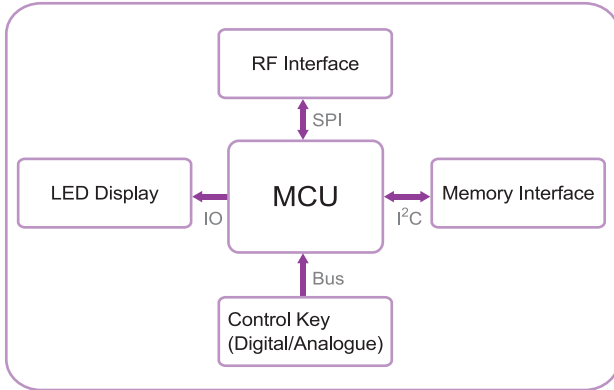


Own it! Best way to save your money & time in products development

Example:

RF game pad system



Way1:

Modify & debug after all modules are programmed, when quantities of develop tools such as logic analyzer & oscilloscope & ICE are limited.

firmware development



Way2:

Modify & debug after all modules is programmed, when each engineer has got own develop tools such as logic analyzer & oscilloscope & ICE.

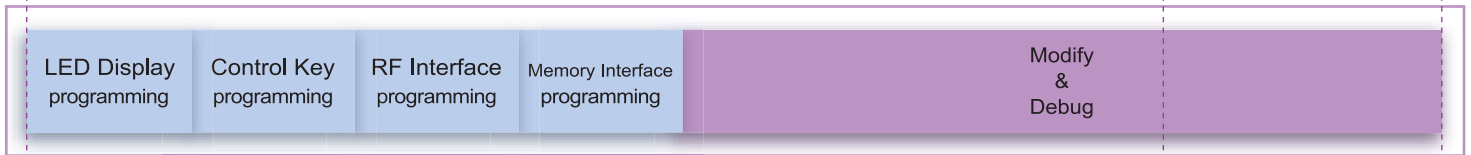
firmware development



RF game pad development flow

Time Period

Way1: The way to save project development time & cost



Way2: The best way to save project development time & cost

