

OPENTHERM Adapter



孕龍科技股份有限公司
ZEROPLUS TECHNOLOGY CO., LTD.

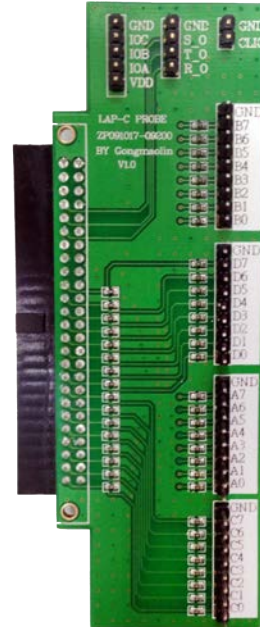
23585 新北市中和區建八路123號2樓
2F., No.123, Jian 8th Rd., Zhonghe Dist.,
New Taipei City 23585, Taiwan
Tel: +886-2-6620-2225 Fax: +886-2-2223-4362
Service Mail: service@zeroplus.com.tw

上海市浦东新区张江晨晖路825弄8号101室
电话: +86-21-50155235~6 传真: +86-21-50155235 #607
深圳市宝安82区新湖路华美居商务中心A区C座605室
电话: +86-755-29556305~6 传真: +86-755-29556306 #613

www.zeroplus.com.tw

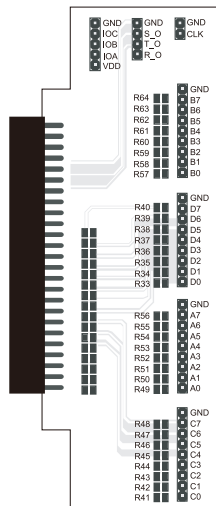
20140718

Copyright © ZEROPLUS TECHNOLOGY CO., LTD. All Rights Reserved.



Brief Introduction

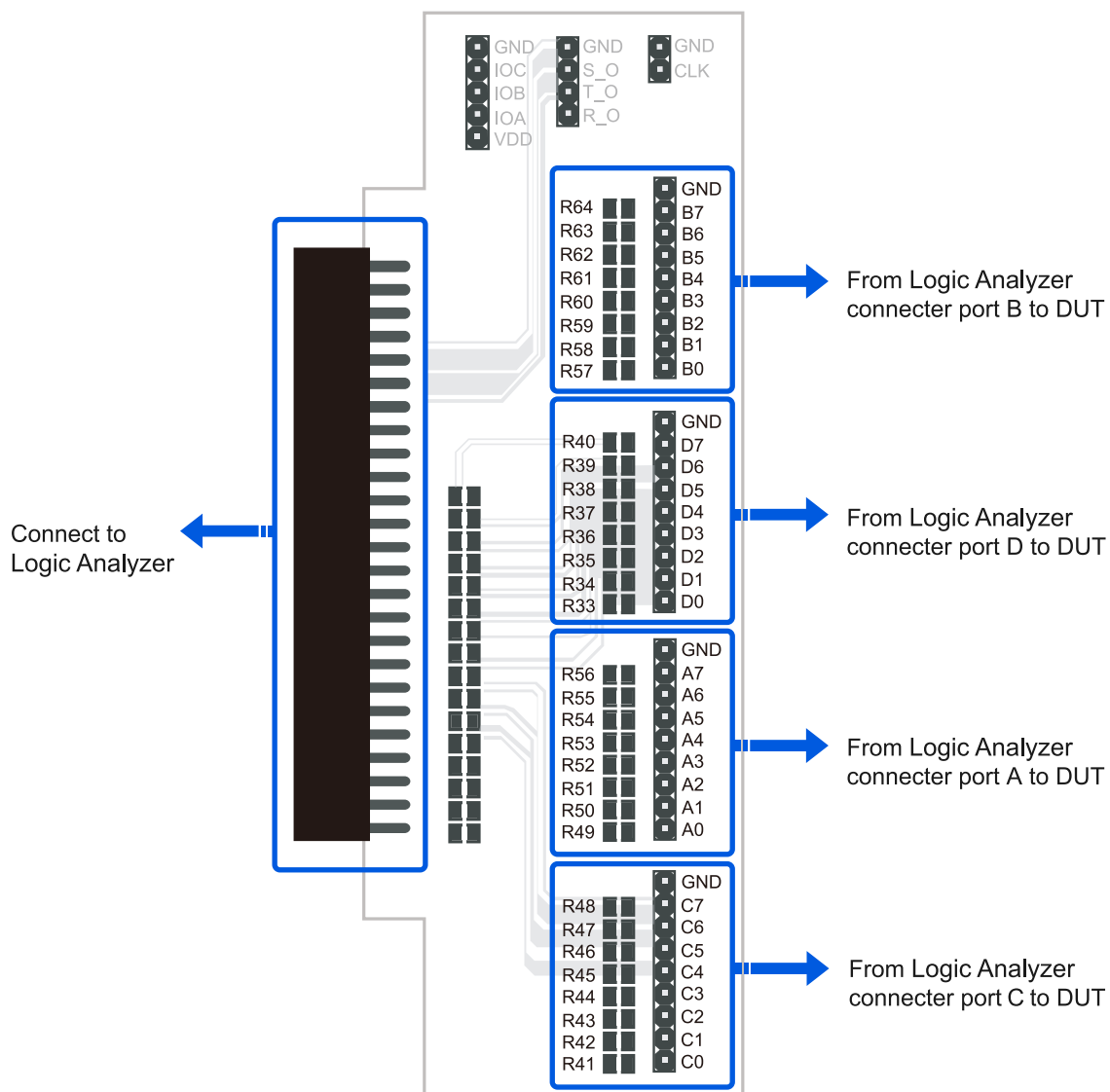
- Size : 12 x 4.6 x 1.2 cm
- For Logic Analyzer LAP-C Series
- When measuring the OPENTHERM, since the signal voltage is high, we suggest you to use the OPENTHERM Adapter to divide the voltage, and then use Zeroplus LA to analyze it. Voltage dividing scale is 1/6.



Pin	Describe
A0 ~ A7 *	connected to LA (A0 ~ A7)
B0 ~ B7 *	connected to LA (B0 ~ B7)
C0 ~ C7 *	connected to LA (C0 ~ C7)
D0 ~ D7 *	connected to LA (D0 ~ D7)
GND	connected to LA (GND)

* 此部份腳位之信號電壓會經由分壓電路衰減至1/6後輸入至LA

* The signal voltage of these pins will be decayed to 1/6 of original by the voltage division circuit before inputted to the LA.



ZEROPLUS
Logic Cube

RUN READ TRIGGER

可將待測物信號電壓分壓處理後再經由孕龍邏輯分析儀進行分析，電壓分壓比例為1/6。

The Opentherm Adapter can divide the Voltage of the Signal to be tested, and then the Logic Analyzer will analyze the divided Signal. The ratio of the divided voltage is 1/6.