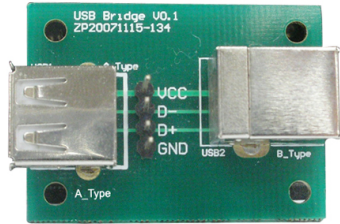


## USB Bridge



### Brief Introduction

- 4.3 cm x 3 cm x 1.7 cm
- Specially design for support USB signal measurement.
- Support USB 1.1
- You can use it to get the best measurement result and save your time.
- Accessories: USB cable x 1

### Adapter Pin

### Function Name

Adapter Pin	Function Name
VCC	USB +5V
D-	USB D-
D+	USB D+
GND	USB GND

A – Type USB連接埠連接待測物

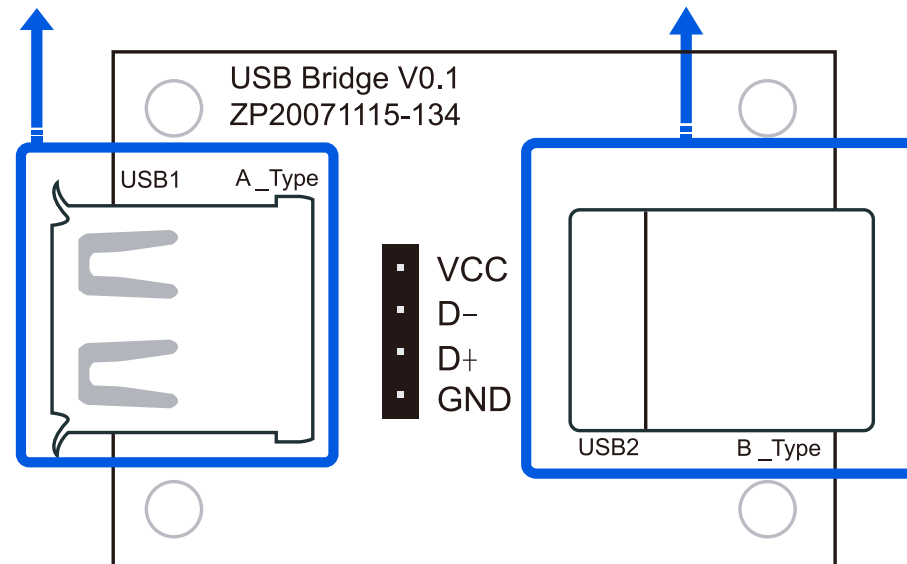
A -Type USB Port:

It is used to connect with the DUT (Device Under Test).

B – Type USB連接埠連接至PC端HOST

B -Type USB Port:

It is used to connect to the HOST on the PC



孕龍科技股份有限公司 ZEROPLUS TECHNOLOGY CO., LTD.

23585新北市中和區建八路123號2樓  
2F., No.123, Jian 8th Rd., Zhonghe Dist., New Taipei City 23585, Taiwan  
Tel: +886-2-6620-2225 Fax: +886-2-2223-4362  
Service Mail: service@zeroplus.com.tw

上海市浦东新区张江晨晖路825弄8号101室  
电话: +86-21-50155235~6 传真: +86-21-50155235 #607

深圳市宝安82区新湖路华美居商务中心A区C座605室  
电话: +86-755-29556305~6 传真: +86-755-29556306 #613

[www.zeroplus.com.tw](http://www.zeroplus.com.tw)

Copyright © ZEROPLUS TECHNOLOGY CO., LTD. All Rights Reserved. 20130102