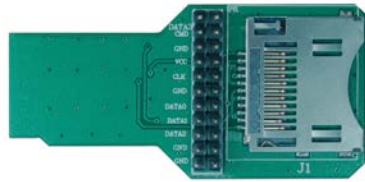


Mini SD

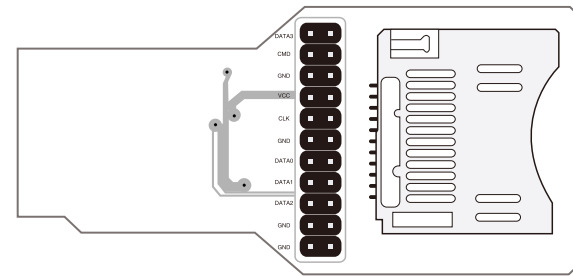


Brief Introduction

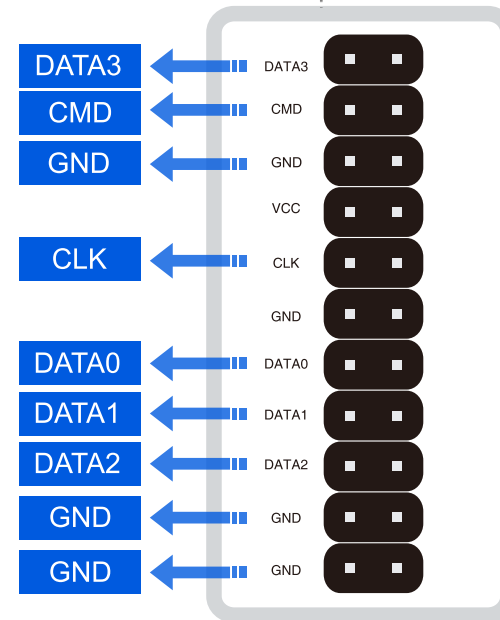
- 6.3 cm x 3.1 cm x 1 cm
- Specially design for support Mini SD signal measurement.
- Support SD card Spec V2.0
- You can use it to get the best measurement result and save your time.

Pin	Name	Pin	Name
1	DATA3	13	DATA0
3	CMD	15	DATA1
5	GND	17	DATA2
7	VCC	19	GND
9	CLK	21	GND
11	GND		

← 連接至Host端
Connect to Host Port



→ 連接SD Card
Connect to SD Card



孕龍科技股份有限公司 ZEROPLUS TECHNOLOGY CO., LTD.

23585新北市中和區建八路123號2樓
2F., No.123, Jian 8th Rd., Zhonghe Dist., New Taipei City 23585, Taiwan
Tel: +886-2-6620-2225 Fax: +886-2-2223-4362
Service Mail: service@zeroplus.com.tw

上海市浦东新区张江晨晖路825弄8号101室
电话: +86-21-50155235-6 传真: +86-21-50155235 #607

深圳市宝安82区新湖路华美居商务中心A区C座605室
电话: +86-755-29556305-6 传真: +86-755-29556306 #613

www.zeroplus.com.tw

Copyright © ZEROPLUS TECHNOLOGY CO., LTD. All Rights Reserved. 20140718